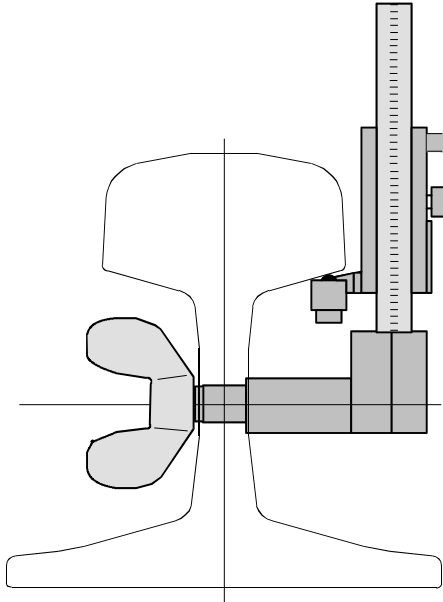


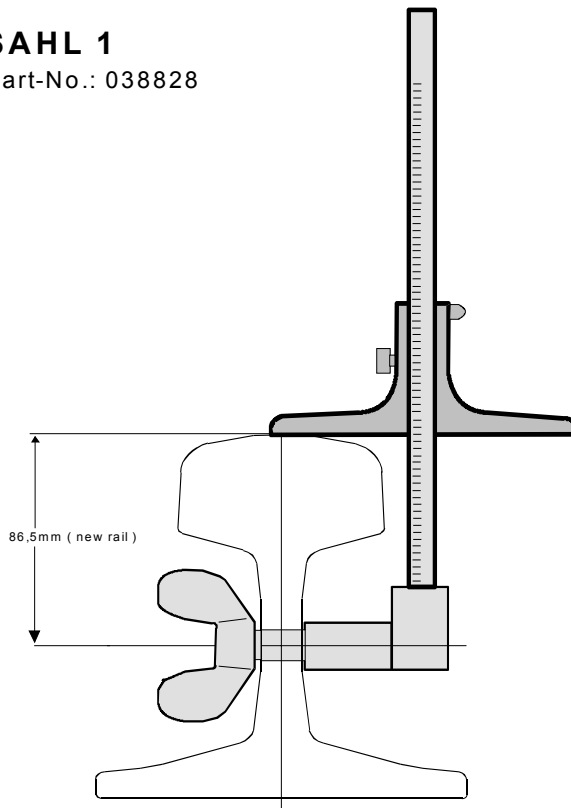
SBKL 1

Part-No.: 040802



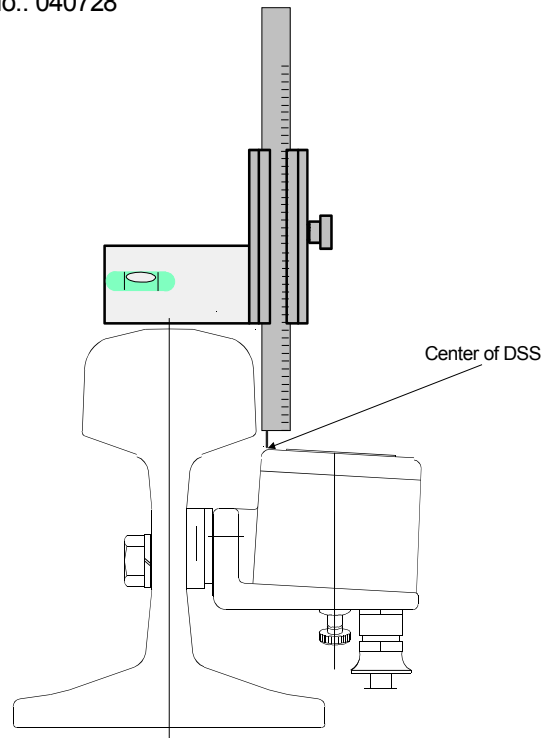
SAHL 1

Part-No.: 038828



SAHL 2

Part-No.: 040728



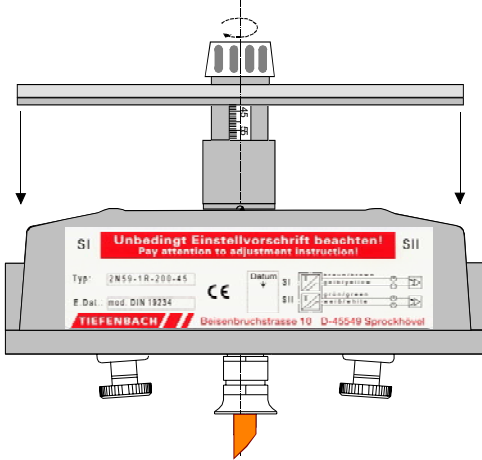
Double wheel sensor
 Type 2N59-1R-200-45
 Type 2N59-1R-200-40

Assembly Instructions

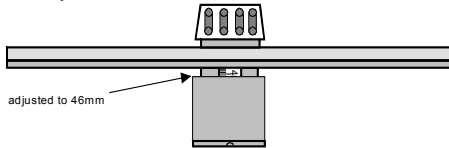
Date sheet:
 EL-
 Date: 04.02
 page 2/2

SSPV 1

Part-No.: 032312



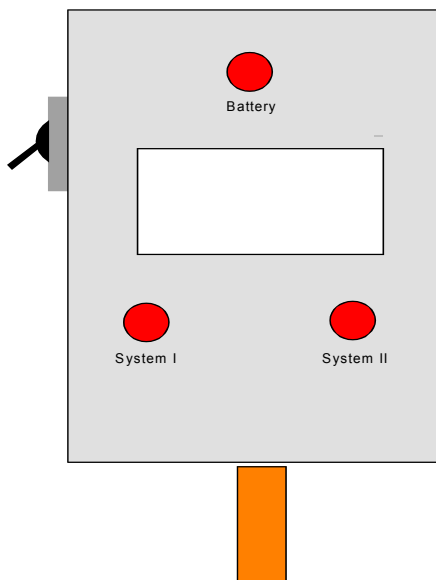
Control adjustment:



R58/117/1 Test Device
 Part No. 054330 (for use with 400RE-40 sensor)

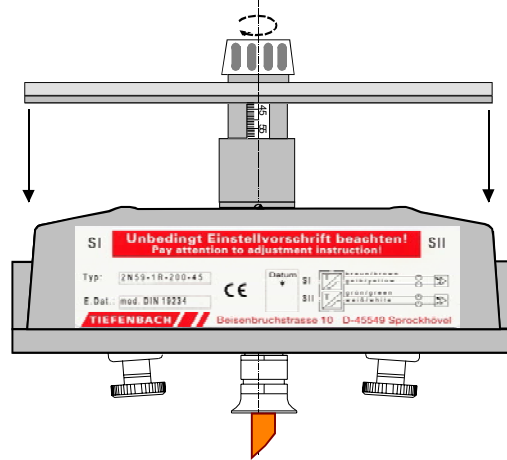
R58/37 Test Device
 Part No. 038048

R58/117/V01 Test Device
 Part No. 086673 (for use with 200-45 sensors)

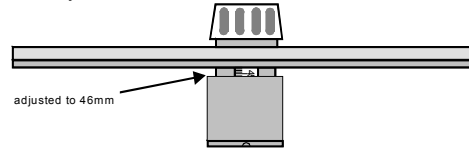


SSPV 9

Part-No.: 351051



Control adjustment:



EW 1 Adjustment Tool
 Part No. 023846



Brass Adjustment Screw-On Tool